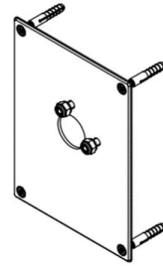


## SS Face Plate for Wall Mounted Shower – 150 x 200



### PRODUCT CODES

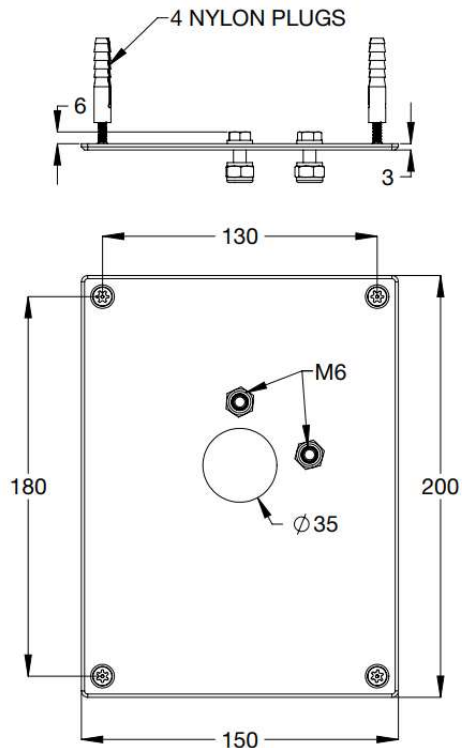
- 121.93.00.10

### SPECIFICATIONS

- Faceplate designed for GalvinCare CP-BS Mental Health Anti-Ligature Safe-Connect Shower Head 42013, 42020 and 42018.
- 3mm thick, vandal resistant stainless-steel polished faceplate with tamper resistant screws

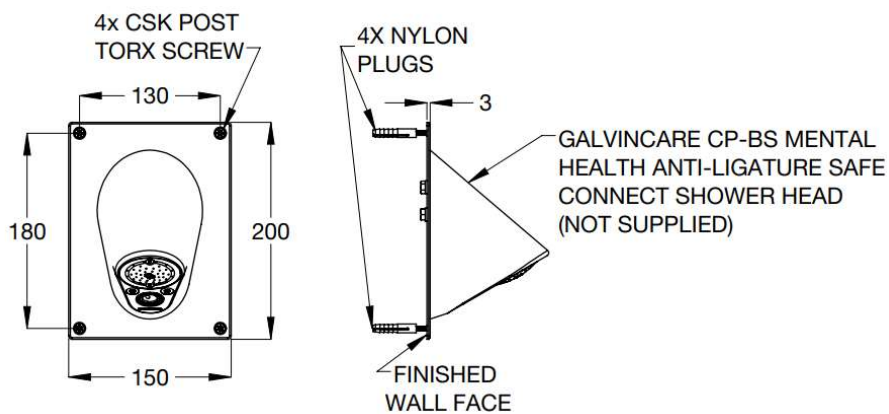
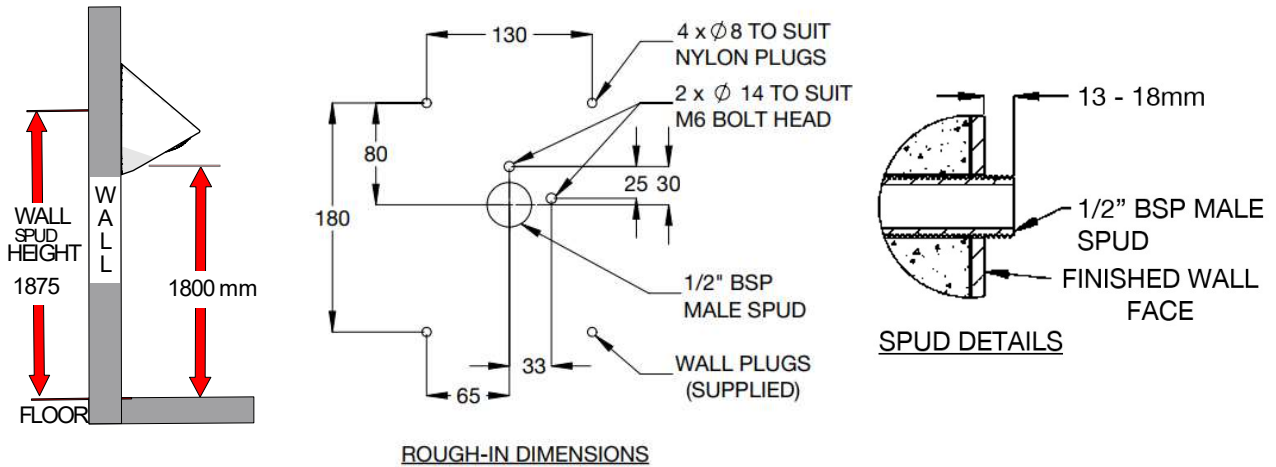
**NOTE:** Galvin Engineering continually strive to improve their products. Specifications may change without notice.

### DIMENSIONS



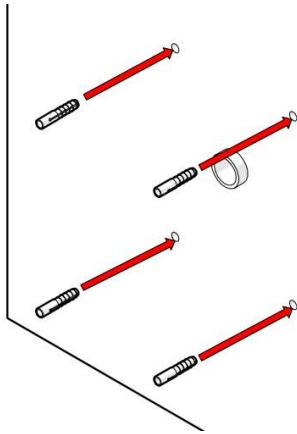
**PRE-INSTALLATION (MOUNTING DETAILS)**

- If the mounting holes do not already exist, mark out and drill the holes as shown in rough-in dimensions. Note: Drill size shown is to suit supplied wall anchors.

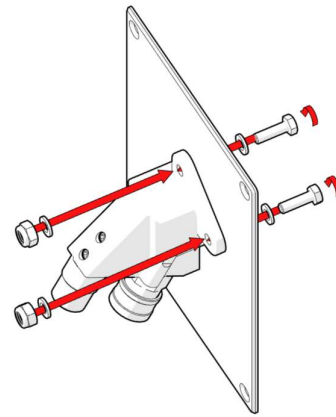


**INSTALLATION**

**INSTALLATION COMPLIANCE:** Galvin Engineering products must be installed in accordance with these installation instructions and in accordance with AS/NZS 3500, the PCA and your local regulatory requirements. Water and/or electrical supply conditions must also comply to the applicable national and/or state standards. Failing to comply with these provisions shall void the product warranty and may affect the performance of the product.

**1. Fit the nylon plugs**

- Drill holes as detailed in the mounting details.
- Insert the four supplied nylon plugs into the drilled holes.

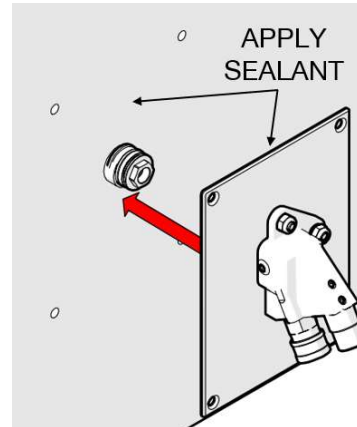
**2. Secure the shower body (not supplied) into the faceplate**

- Secure body to the faceplate using the supplied M6 machine screws and nuts as shown.
- Make sure to place washers between the faceplate and screw head, and between the shower body and locknut.



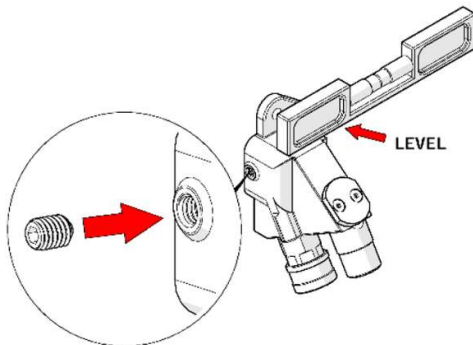
**3. Fit retaining nut (supplied together with the shower head)**

- Screw the retaining nut onto the spud until the rear face is 3mm away from the finished wall.
- Ensure to use thread sealant/tape.



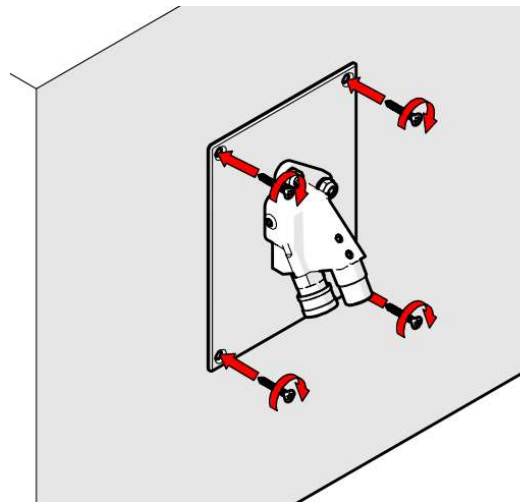
**4. Apply Sealant and fit shower body**

- Apply sealant to create a water tight seal between the faceplate and the wall.
- Fit the shower body (secured to the faceplate) onto the retaining nut until the faceplate touches the wall.



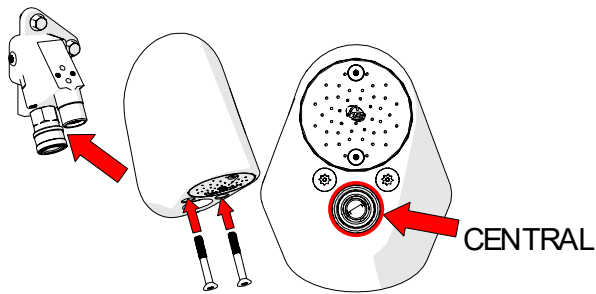
**5. Level the shower body**

- Ensure body is level and tighten grub screw to lock. Take care not to overtighten.



**6. Secure the faceplate**

- Fix the faceplate to the wall using the four countersunk torx screws.
- Ensure the screws are securely tightened.



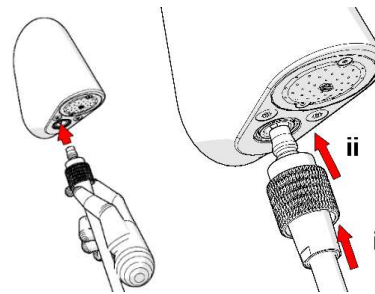
**7. Fit shower outer case (supplied together with the shower head) and check operation**

- Fit the shower outer case onto body as shown.
- Fit the two screws as shown and tighten evenly to ensure fitting location is central – do not over tighten.

**⚠ Take care to not shear o-ring on outer case while fitting.**

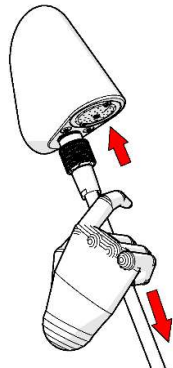
- Turn on water to check correct function of wall shower, then turn off water.

**Note: This wall shower is fitted with a flow restrictor. Never operate without a flow restrictor, as outlet will deliver full mains pressure with unrestricted flow.**



**8. Connect hand shower**

- Push the hose connection into the wall fitting.
  - i. With one hand, maintain pressure to the hose.
  - ii. With the other hand, push the outer ring forward as shown.
- The hose should now move further forward into the wall fitting.
- While still applying pressure to the hose release the outer ring.



**9. Check hand shower operation**

- Check the hose is securely connected.
- Turn on water supply, the hand shower should now be working, and the wall shower should not be running.
- Turn off water.
- To remove hose push the outer ring forward and pull downwards.

## WARRANTY

The warranty set forth herein is given expressly and is the only warranty given by the Galvin Engineering Pty Ltd. With respect to the product, Galvin Engineering Pty Ltd makes no other warranties, express or implied. Galvin Engineering Pty. Ltd. hereby specifically disclaims all other warranties, express or implied, including but not limited to the implied warranties of merchantability and fitness for a particular purpose.

Galvin Engineering Pty Ltd products are covered under our manufacturer's warranty available for download from [www.galvinengineering.com.au](http://www.galvinengineering.com.au) Galvin Engineering Pty Ltd expressly warrants that the product is free from operational defects in workmanship and materials for the warranty period as shown on the schedule in the manufacturer's warranty. During the warranty period, Galvin Engineering will replace or repair any defective products manufactured by Galvin Engineering without charge, so long as the terms of the Manufacturer's warranty are complied with.

The remedy described in the first paragraph of this warranty shall constitute the sole and exclusive remedy for breach of warranty, and Galvin Engineering Pty Ltd shall not be responsible for any incidental, special or consequential damages, including without limitation, lost profits or the cost of repairing or replacing other property which is damaged if this product does not work properly, other costs resulting from labour charges, delays, vandalism, negligence, fouling caused by foreign material, damage from adverse water conditions, chemical, electrical or any other circumstances over which Galvin Engineering has no control. This warranty shall be invalidated by any abuse, misuse, misapplication, improper installation or improper maintenance or alteration of the product.